

PAGE 7:  
MT3128 3182 608  
FEED BRACKET

PAGE 9:  
MT3128 0013 74  
DRILL STEEL SUPPORT

PAGE 8:  
SINGLE FEED BEAM  
HYDRAULIC CYLINDER  
ROPES / PERIPHERALS

PAGE 8:  
UPPER FEED BEAM  
HYDRAULIC CYLINDER  
ROPES / PERIPHERALS



Page 10:  
LOWER FEED BEAM  
HYDRAULIC CYLINDER  
PERIPHERALS

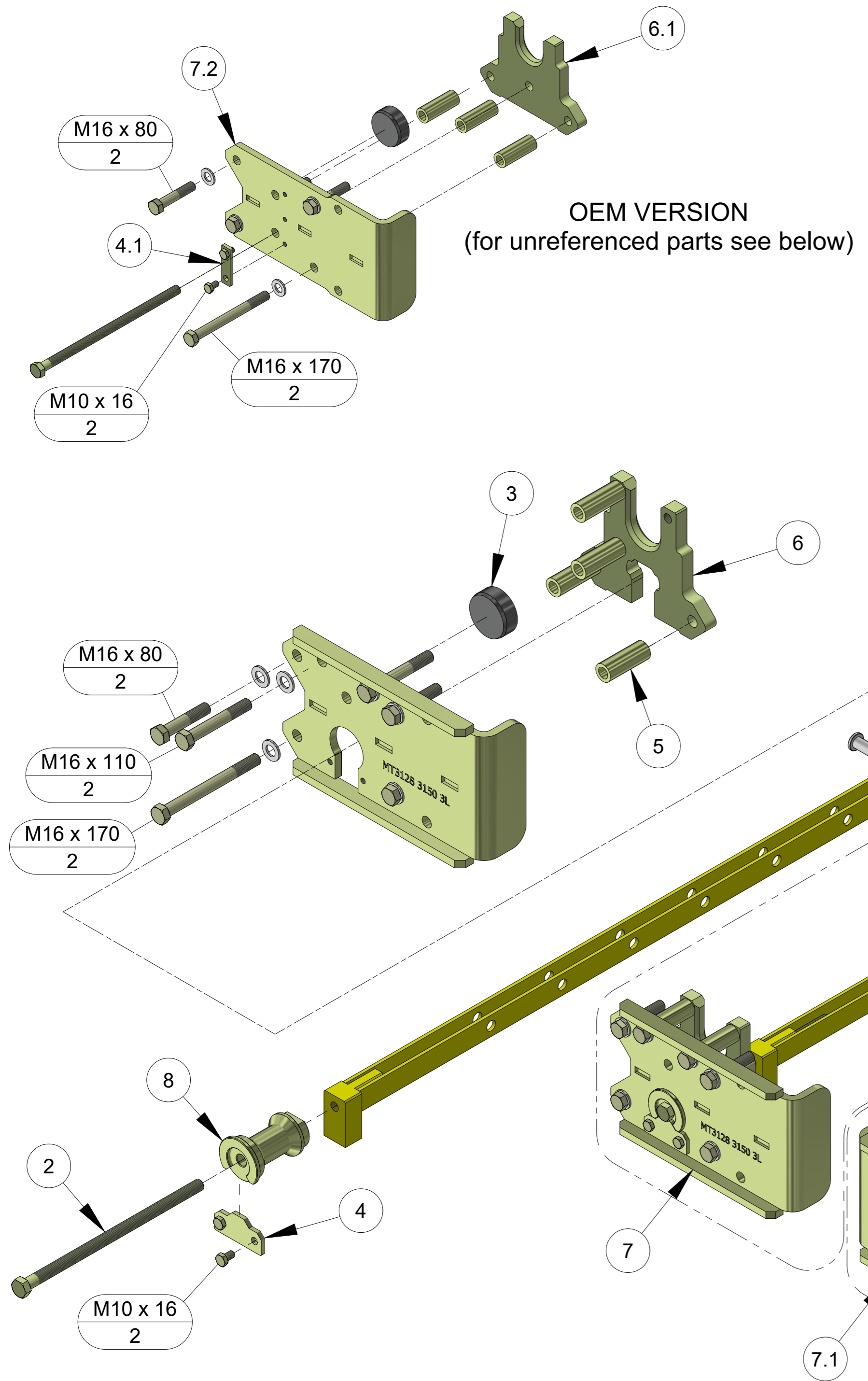
PAGE 5:  
MT3128 32 58 40  
CRADLE COMPLETE

PAGE 4:  
MT3128 0007 78  
HOSE TREE

PAGE 3  
MT3128 0004 258  
HOSE DRUM  
(CRADLE SET REAR)

PAGE 2:  
MT3128 3150 39  
END PIECE SET  
(ROPE LADDERS)

PART NUMBER	DESCRIPTION
MT9754 0001 98	MD20 SINGLE FEED 16/10
PART NUMBER	DESCRIPTION
MT3128 0014 481	MD20 SPLIT FEED 16/10 LEFT
PART NUMBER	DESCRIPTION
MT3128 0014 482	MD20 SPLIT FEED 16/10 RIGHT
 	
MT Parts: 0407 059 610 1 Haehy Circuit, Roseworthy S.A. 5371 171 Dugan Street, Kalgoorlie W.A. 6430 <a href="mailto:parts@mtunderground.com">parts@mtunderground.com</a> <a href="http://www.mtunderground.com">www.mtunderground.com</a>	
PAGE	1

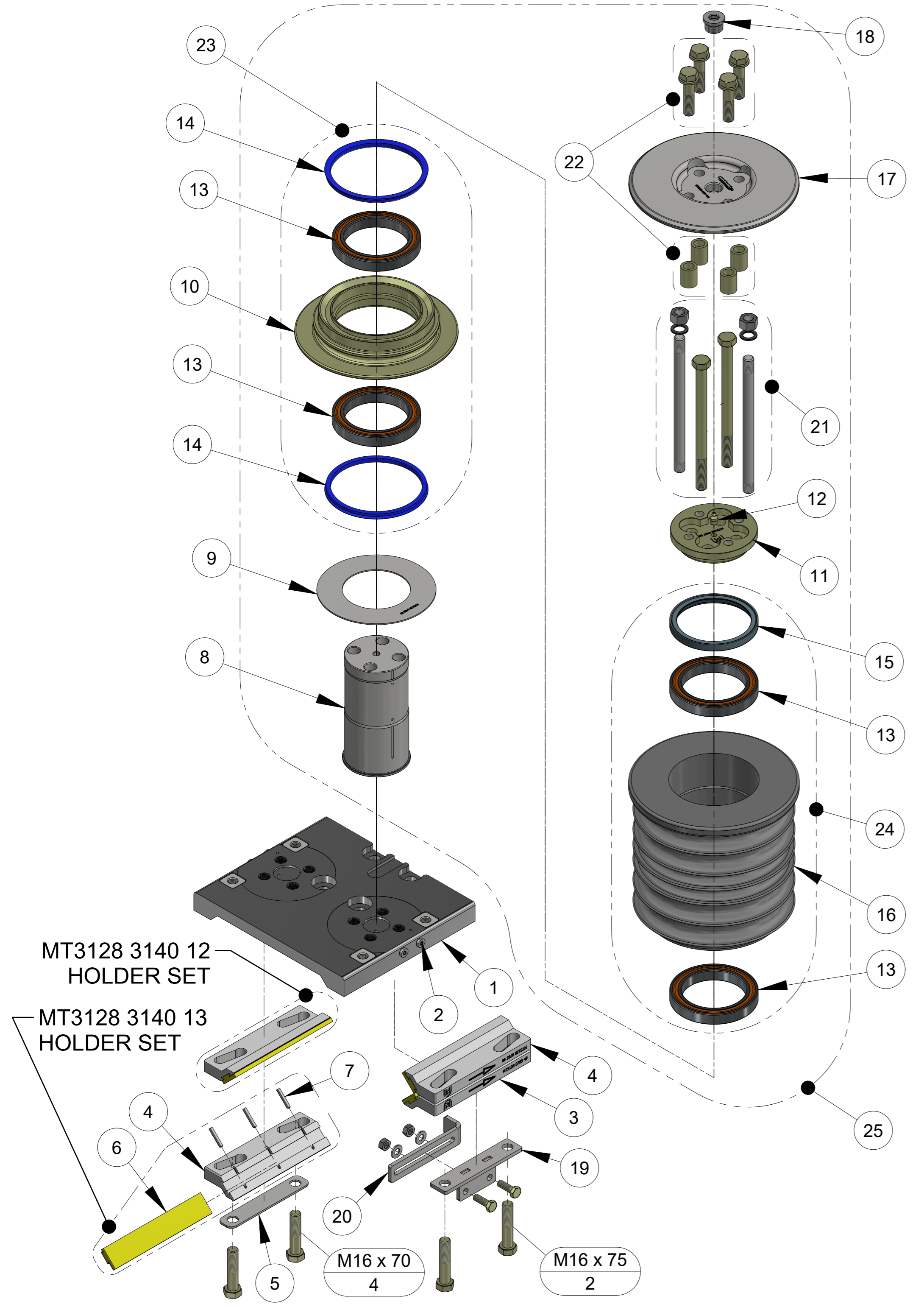


ITEM	PART NUMBER	DESCRIPTION	QTY	COMMENTS
1	MT0113 3238 00	PIN	1	Includes washer & split pin
2	MT0147 1958 29	SET SCREW	1	
3	MT3125 0639 00	BUFFER - REAR	1	
4	MT3128 0476 0R	WASHER PLATE	1	
4.1	MT3128 0476 00	WASHER PLATE	0	OEM
5	MT3128 3051 75	PIPE	4	OEM QTY=3
6	MT3128 3051 7R	END PIECE	1	
6.1	MT3128 3051 71	END PIECE	0	OEM
7	MT3128 3150 3L	BACK HEAD 6000 LH	1	
7.1	MT3128 3150 3R	BACK HEAD 6000 RH	0	
7.2	MT3128 3150 39	BACK HEAD	0	OEM
8	MT3128 3051 8S	SPACER	1	
9	MT3222 3097 50	ROPE LADDER	1	
10	MT3128 3150 3BK	BOLT KIT	1	
11	MT3128 3150 39BK	BOLT KIT	0	OEM

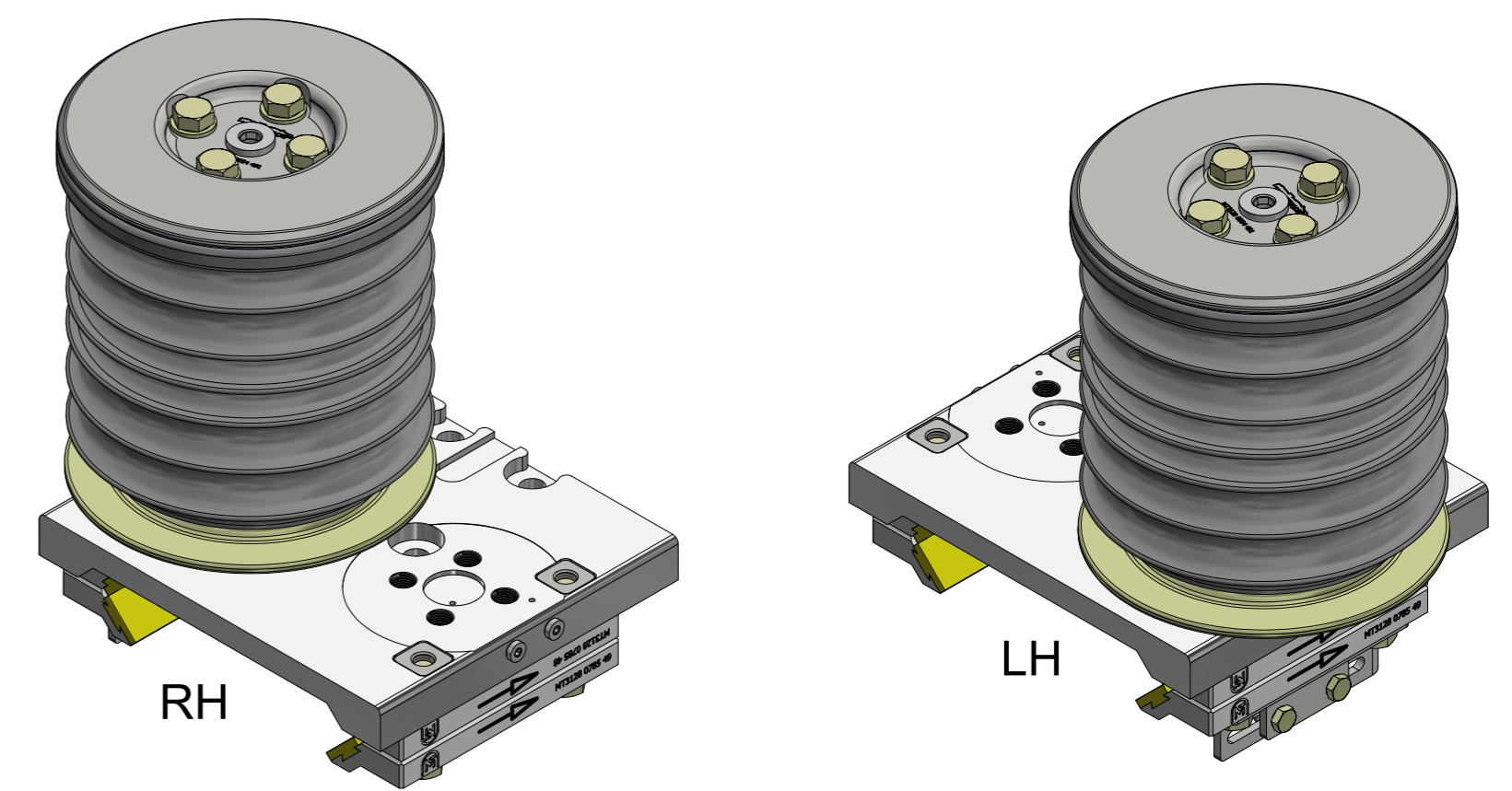
PART NUMBER	DESCRIPTION
MT3128 3150 39C	END PIECE SET (OEM)
PART NUMBER	DESCRIPTION
MT3128 3150 3918	END PIECE SET REM. LADDER LH
PART NUMBER	DESCRIPTION
MT3128 3150 3928	END PIECE SET REM. LADDER RH



MT Parts: 0407 059 610  
 1 Haehy Circuit, Roseworthy S.A. 5371  
 171 Dugan Street, Kalgoorlie W.A. 6430  
[parts@mtunderground.com](mailto:parts@mtunderground.com)  
[www.mtunderground.com](http://www.mtunderground.com)



ITEM	PART NUMBER	DESCRIPTION	QTY	COMMENTS
1	MT3128 0014 70	CRADLE PLATE	1	
2	MT0686 3718 05	Socket Plug BSPP 1/8"	4	
3	MT3128 0785 49	SLIDE HOLDER LH	2	
4	MT3128 0785 48	SLIDE HOLDER RH	2	
5	MT3128 3252 84	WASHER PLATE	2	
6	MT3128 3039 30	NYLON SLIDE SOFT	4	YELLOW
6.1	MT3128 3039 31	NYLON SLIDE MID	0	BLUE
6.2	MT3128 3074 88	NYLON SLIDE HARD	0	GRAY
7	MT3128 0619 00	SLIDE KEY	12	
8	MT3128 0004 201	SHAFT	1	
9	MT3128 0485 00	DISC	1	
10	MT3128 0004 231	PULLEY WHEEL	1	
11	MT3128 0497 00	CAP	1	
12	MT0544 2162 00	1/8" BSP GREASE NIPPLE	1	
13	MT3128 0475 105	HOSE REEL BEARING	4	
14	MT0666 8007 04	SEAL	2	
15	MT0666 6718 00	RADIAL LIP SEAL	1	
16	MT3128 0004 25	HOSE DRUM	1	
17	MT3128 0054 491	DRUM PROTECTION	1	
18	MT0686 3718 50	PLUG (3/4" BSPP)	1	
19	MT3128 0710 00	BRACKET	1	incl. NUTS & BOLTS
20	MT3128 0711 00	ANGLE	1	
21	MT3128 3141 059	BOLT KIT	1	
22	MT3128 0054 499	SPACER KIT	1	
23	MT3128 0004 205	SHAFT WEAR KIT	1	
24	MT3128 0004 255	HOSE DRUM WEAR KIT	1	
25	MT3128 0004 212	HOSE DRUM SHAFT KIT	1	



PART NUMBER <b>MT3128 0004 258</b>	DESCRIPTION <b>LH HOSE DRUM COMPLETE</b>
 	
<b>MT Parts: 0407 059 610</b> 1 Haesy Circuit, Roseworthy S.A. 5371 171 Dugan Street, Kalgoorlie W.A. 6430 <a href="mailto:parts@mtunderground.com">parts@mtunderground.com</a> <a href="http://www.mtunderground.com">www.mtunderground.com</a>	
PAGE	<b>3</b>